



GRANI ROC

Crta. León- Villaroaño, km 6,5
24199 Marialba de la Ribera
León - España

Tlf. (+34) 987 84 96 90
Mvl. (+34) 619 212 534
Fax (+34) 987 28 10 70
info@grupohedisa.com
www.grupohedisa.com

PRODUCT



CBC 75 H.P. in a granite quarry in Spain.

DIAMOND WIRE SAW CUTTING MACHINE

Type: Quarry
Model: CBC 75 C.V.
Purpose: Natural stone cutting in quarries
Special cuts and demolitions

- The machine is built with electro-welded steel and cast iron that guarantee the stability, rigidity and strength required to face any condition of working and ensure a long life of the equipment.
- The head of support and rotation of the main motor is built of cast iron.
- The main motor, electric and direct to the main wheel, is an 8 poles motor in the case of the 50 and 75 HP machines and 6 poles motor in the 100 HP ones; with them, the maximum torque of the motor is achieved in the normal speeds of working of the diamond wire, increasing the productivity of the machine and optimizing the life of the tool.
- The main motor is controlled by an inverter, allowing a smooth and high torque start up and to increase progressively and to tune the speed of the wire to the optimum conditions.
- The main wheel, Ø810 mm in the 50 and 75 HP machines and Ø941 mm in the 100 HP one, guarantees a good transmission of the power to the wire without causing damages to the wire.
- The regulation of the tension of the wire is electronic and automatic in order to achieve the optimum productivity and the maximum performance in each part of the cut.
- The machine has a control panel and a remote control for the operator to position himself in a safe area during the cut.
- The guiding wheels can be disassembled for an easy replacement of the rubber liners.
- The machine has installed a safety system that stops the machine in case of any problem during the cut like wire breaking, excessive tension in the wire or tracks end.
- The rails for the movement of the machine are 3 meters long and interchangeable to permit their endless setup to avoid the need of cutting the wire in shorter pieces when the cut advances, optimizing the life of the tool.

DESCRIPTION OF THE MACHINE

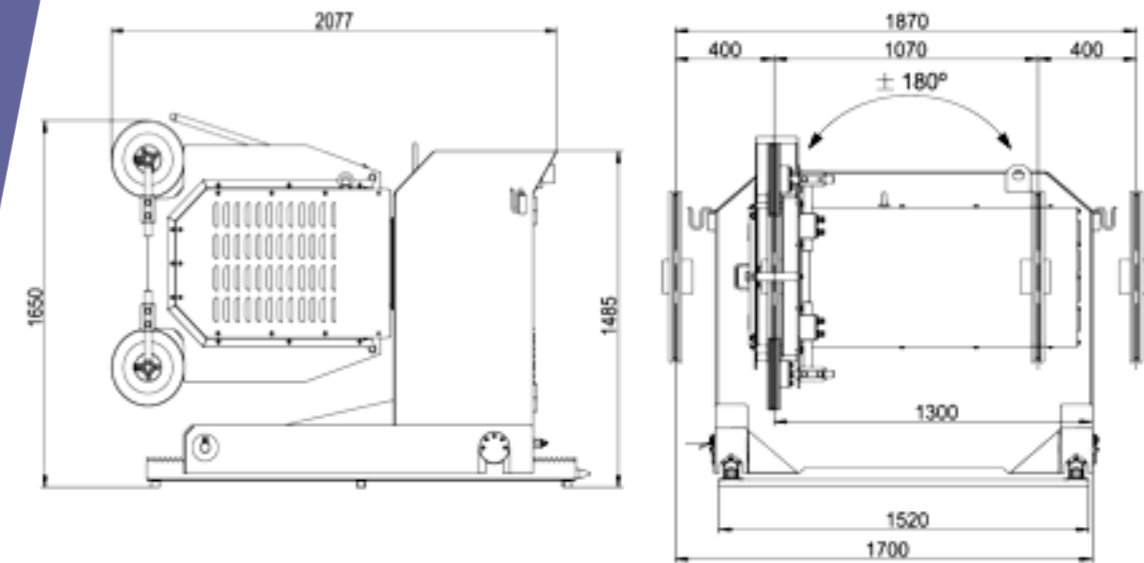


GRANI ROC

Crta. León- Villaroaño, km 6,5
24199 Marialba de la Ribera
León - España

Tlf. (+34) 987 84 96 90
Mvl. (+34) 619 212 534
Fax (+34) 987 28 10 70
info@grupohedisa.com
www.grupohedisa.com

Front and side view of the CBC 75 HP machine of Grani Roc.



TECHNICAL DATA

	CBC 20 CV	CBC 50 CV	CBC 75 CV	CBC 100 CV
Power of main motor	15kW / 20 CV	37 kW / 50 CV	56kW / 75 CV	75 kW / 100 CV
Total installed power	16 kw / 21.3 CV	39 kW / 54CW	57 kW / 79 CV	77 kW / 103 CV
Linear speed of the wire	0 - 40 m / s			
Total width of the machine (approx.)	800 mm	1.550 mm		
Total height of the machine (approx.)	950 mm	1.600 mm	1.600 mm	1.650 mm
Total length (approx.)	1.440 mm+ vías	2.100 mm + vías		
Total weight (approx.)	470 kg	2.500 kg	2.600 kg	3.100 kg
Electrical connection	3 X 380 V+T+N			
Tension in the panel board	24V			
Power of the advance motors	0.55 kW/0.75 CV	1.30 kW / 1.75 CV		
Power of the head rotating motor	-	0.75 kW / 1 CV		
Diameter of the main wheel	550 mm	810 mm	810 mm	941 mm
Diameter of the guiding wheels	250 mm	341 mm		
Hydraulic lateral displacement	-	400 mm		