



**GRANI ROC**

Crta. León- Villaroaño, km 6,5  
24199 Marialba de la Ribera  
León - España

Tlf. (+34) 987 84 96 90  
Mvl. (+34) 619 212 534  
Fax (+34) 987 28 10 70  
info@grupohedisa.com  
www.grupohedisa.com

**PRODUCTO**

### DIAMOND WIRE SAW CUTTING MACHINE

Type: Factory / Stationary  
Model: PBO 2000 / 2500  
Purpose: Profiling  
5 Axes CNC

**The PBO profiling machine of GRANI ROC is designed for a high precision dressing of blocks and slabbing and profiling production from stone blocks. The machine is composed of a static structure and a mobile trolley. All the movements are controlled by a 5 axes CNC panel board.**

· The movements of the machine are controlled by a 5 axes CNC. The data can be input directly in the CNC or by an ISO code file generated by the CAD-CAM software GraniCAD supplied with the machine. This software allows to design the pieces to be profiled, to transfer the \*.dxf files to the CNC, to define the parameters of cutting in each step of the cut (speed of cutting, speed of the wire, etc.) and to simulate the path of the wire during the cut.

· The machine has an electric system for bringing closer the small guide wheels that allows the operator to adjust the cutting width until the one desired, reducing the arch value when cutting with diamond wire and thereby increasing its speed

· The guiding wheels are controlled by the CNC and independent motors which allows to position the wheels in the direction of the cut, permitting a faster speed of cutting when profiling.

· The structure of the pillars and beam is made of electro welded and machined tubes. The trolley is composed of electro welded tubes forming a framework protecting all sensitive parts of the trolley: screws, wheels, etc.

· The tensioning of the wire is made pneumatic and automatically with indication of wire breakage or shortage. In this way the machine controls automatically the down movement of the machine, adapting it to the optimum working tension of the wire, avoiding possible breakages and optimizing its behaviour.

· All the main pulleys –drive and tensioning– and guiding wheels are protected by rubber liners in order to get the necessary traction of the wire. Such liners can be easily changed once they are worn out

· The machine is equipped with an automatic cooling system for the diamond wire with detection of constant water pressure. This system stops the machine in the case of lack or insufficient water flow, protecting the tool and preventing possible deterioration or damage of the equipment.

· All the up and down screws are protected with hoods against dust and water

· The machines has an automatic greasing system that injects lubricating liquid in the critical parts of the machine ensuring their correct functioning and the long life of the spare parts.

· The control panel has all the drive and protection components and devices of all control and safety equipment of the machine. All these components are standard, allowing easy and quick maintenance and / or replacement.

· The motorised 360° turntable trolley is controlled by the CNC and has a “Backlash” system that permit the production of complex shapes as balls, screws, etc.

**DESCRIPTION OF THE MACHINE**

PBO en un taller en España.

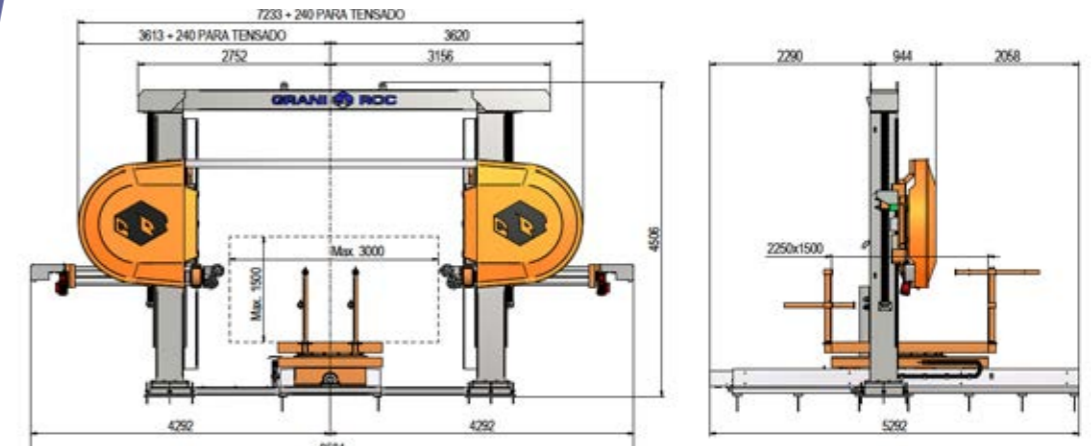


**GRANI ROC**

Crta. León- Villaroaño, km 6,5  
24199 Marialba de la Ribera  
León - España

Tlf. (+34) 987 84 96 90  
Mvl. (+34) 619 212 534  
Fax (+34) 987 28 10 70  
info@grupohedisa.com  
www.grupohedisa.com

Front and side views of the PBO profiling machine from Grani Roc.



## TECHNICAL DATA

	PBO 2000	PBO 2500
Maximum useful cutting width	2.500 mm	3.000 mm
Minimum useful cutting width	1.300 mm	1.800 mm
Maximum height of the block	1.500 mm	1.500 mm
Maximum length of the block	1.900 mm	2.500 mm
Downfeed speed of the wire	0 – 675 mm / min	
Downfeed speed of the wire	0 – 9.000 mm / min	
Linear speed of the wire	0 – 40 m / s	
Length of the wire (approx.)	15,00 m	16,00 m
Diameter of the main wheels	1.500 mm	
Diameter of the guiding wheels	180 mm	
Dimensions of the trolley	1.500 x 2.250 mm	1.500 x 2.250 mm
Maximum weight on the trolley	7.200 mm	8.700 mm
Total width of the machine (approx.)	4.600 mm	
Total height of the machine (approx.)	7.800 kg	8.000 kg
Total length (approx.)	9 kW	11 kW
Total weight (approx.)	7.5 kW	
Total installed power	15 kW	17 kW
Electrical connection	3 x 380 V + T + N	
Water flow	20 l / min a 4 bar	